

# DC VOLTMETER & AMMETER

## AP-310

\*Compact Size, 14.2mm LED



### DC Voltage Measurement

Model	Range	Maximum Resolution	Input Impedance	Input Protection
AP-310-11	±199.9mV	100μV	100MΩ	±250V
AP-310-12	±1.999V	1mV	10MΩ	±250V
AP-310-13	±19.99V	10mV	10MΩ	±250V
AP-310-14	±199.9V	100mV	10MΩ	±500V

Accuracy: ±0.1% rdg ±1 digit (23°C±5°C)

### DC Current Measurement

Model	Range	Maximum Resolution	Internal Resistance	Input Protection
AP-310-21	±199.9μA	100nA	1kΩ	±10mA
AP-310-22	±1.999mA	1μA	100Ω	±50mA
AP-310-23	±19.99mA	10μA	10Ω	±150mA
AP-310-24	±199.9mA	100μA	1Ω	±500mA
AP-310-25	±1.999A	1mA	0.1Ω	±3A

Accuracy: ±0.2% rdg ±1 digit (23°C±5°C)  
±0.3% rdg ±1 digit for AP-310-25

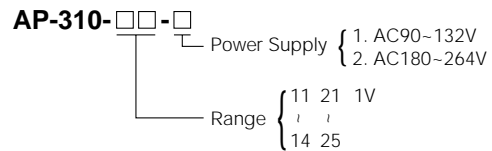
### Specifications

**Input Configuration:** Single Ended  
**Input Bias Current:** 50PA(Typ.)  
**Conversion Rate:** 2.5/sec  
**Normal Mode Rejection:** 40dB(Typ.)(50/60Hz)  
**Zero Stability:** Automatic Zero Adjustment  
**Display:** LED, 14.2mm 3 1/2 digit  
**Decimal Point:** Settable to any digit position  
**Polarity:** A "-" is displayed automatically  
**Overrange Indication:** When input exceeds the maximum display, flashes 1 or -1 at 10<sup>3</sup>.  
**Power Supply:** AC90~132V  
AC180~264V  
**Operating Temperature:** 0~50°C, 35 to 85%RH  
**Power Consumption:** 1.5VA  
**Dimensions:** 36(H) × 72(W) × 110(D)mm DIN Size  
**Weight:** Approx. 200g  
**Dielectric Strength:** Between power supply and input terminal, earth, COM AC1500V/1 min.  
**Insulation Resistance:** DC500V 100MΩ at above terminals

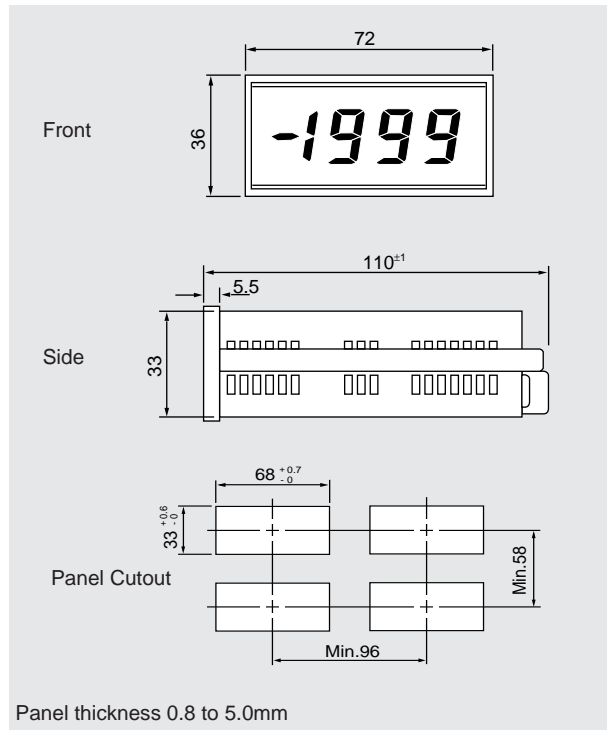
### Features

- Bright LED 14.2mm(Red)
- AC90~132V, AC180~264V
- 200mV~200V, 200μA~2A Measurement
- Compact Size, 36(H) × 72(W) × 110(D)mm
- Screw terminal

### Ordering Code



### Dimensions



### Connection Diagram

